

1077 Cast Steel Gate Valve, Class-150 (Flanged) I.B.R

Salient Features

- Design Standard BS EN ISO 10434 / API 600.
- Bolted Bonnet, Outside Screw, Yoke Type, Rising Stem.
- Renewable 13% Cr. Stainless Steel (S.S 410) working parts.
- Handwheel Operated.
- Flanged Ends as per ASME B 16.5 Class-150.

Test Pressure (Hydrostatic) :
Shell : 31 kg/cm²g (425 psig)
Seat : 21kg/cm²g (313 psig)
Seat (Steam) : 10.55 kg/cm²g (150 psig)
Maximum Working Temperature : 425°C

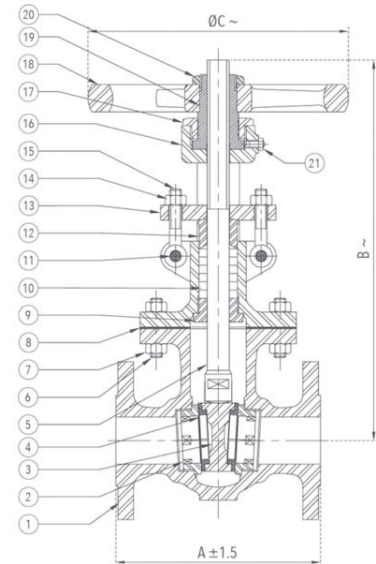
Suitable For

Steam, Water, Oil



Materials

P.No.	Name of Part	Material of Construction	Specification	Qty.
1	Body	Cast Steel	ASTM A 216 Gr. WCB	1
2	Body Seat Ring	Stainless Steel	ASTM A 276 Type 410 / ASTM A 182 Gr. F6a	2
3	Wedge	Cast Steel	ASTM A 216 Gr. WCB	1
4	Wedge Facing Ring	Stainless Steel	ASTM A 276 Type 410 / ASTM A 182 Gr. F6a	2
5	Stem	Stainless Steel	ASTM A 276 Type 410 / ASTM A 182 Gr. F6a	1
6	Studs	Alloy Steel	ASTM A 193 Gr. B7	As Reqd.
7	Nuts	H.T. Steel	ASTM A 194 Gr. 2H	As Reqd.
8	Gasket	Steam Jointing Sheet	IS 2712 Gr. W/3	1
9	Back Seat Bush	Aluminium Bronze	BS EN 1982 Gr. AB - 1	1
10	Gland Packing	Braided Graphite	IS 4687	-
11	Pin For Eye Bolt	Stainless Steel	ASTM A 276 Type 410	2
12	Gland	Stainless Steel	ASTM A 276 Type 410	1
13	Gland Flange	Carbon Steel	---	1
14	Nuts	H.T. Steel	ASTM A 194 Gr. 2H	2
15	Eye Bolts	Stainless Steel	ASTM A 276 Type 410	2
16	Bonnet	Carbon Steel	ASTM A 216 Gr. WCB	1
17	Sleeve Nut	Stainless Steel	ASTM A 276 Type 410	1
18	Handwheel	Nodular Iron	ASTM A 439 D2	1
19	Yoke Sleeve	S.G Iron	IS 1865 Gr. 400 / 15	1
20	Handwheel Nut	Carbon Steel	---	1
21	Grease Nipple	Carbon Steel	---	1



Sizes / Dimensions

Size (Inches)	Size (mm)	A ±1.5	B ~	ØC ~
1 1/2	40	165	330	210
2	50	178	340	210
2 1/2	65	190	395	210
3	80	203	430	225
4	100	229	521	255

Size (Inches)	Size (mm)	A ±1.5	B ~	ØC ~
5	125	254	568	255
6	150	267	666	356
8	200	292	783	400

~ ±10

1078G Butterfly Valve (Wafer Type), PN 2.5 with S.G Iron Disc

Salient Features

- Design Standard IS 13095 / BS EN 593 (BS 5155).
- Wafer Type.
- Lever Operated.
- S.G Iron construction.
- S.G Iron disc which is accurately guided between the two stems.
- Integrally moulded rubber lining (EPDM / Nitrile / Neoprene* / Viton* / Silicon*) as per requirement which provides seating to the valve disc, as a primary seal to the stem and gasket joint with matching pipe flanges.
- Two Piece Stem design which is precisely guided between the PTFE / Bronze bushes.
- Compatible to sandwich between flanges as per BS 10 Table D, E, F,H, DIN, PN 10, PN 16, PN 25, PN 40, ASA 150, ASA 300, IS 778, IS 6392 Table 17 and IS 1538.



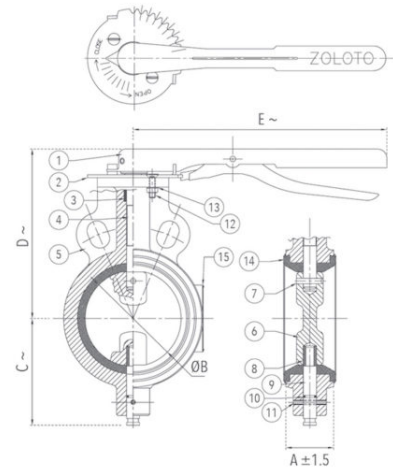
*Valves with Neoprene / Viton / Silicon lining can also be provided at nominal extra cost.

PN 2.5 -
Test Pressure (Hydrostatic) :
Shell : 3.75 MPa
Seat : 2.75 MPa
Maximum Working Pressure : 2.5 MPa
Maximum Working Temperature : 90°C

Suitable For
Water

Materials

P.No.	Name of Part	Material of Construction	Specification	Qty.
1	Flow Control Lever	Carbon Steel (Powder Coated)	---	1
2	Notch Plate	Carbon Steel (Powder Coated)	---	1
3	Packing Bush	PTFE	---	1
4	Upper Stem	Stainless Steel	IS 6603 Gr. 12 Cr12	1
5	Body	S.G Iron	IS 1865 Gr. 400/15	1
6	Disc	S.G Iron (Epoxy Coated)	IS 1865 Gr. 400/15	1
7	Taper Pin (Optional)	Stainless Steel	IS 6603 Gr. 12 Cr12	1
8	Bush	Bronze	IS 318 Gr. LTB 2	1
9	Lower Stem	Stainless Steel	IS 6603 Gr. 12 Cr12	1
10	'O' Ring	Nitrile Rubber	IS 5192 - 1	1
11	L - Key Screw	Carbon Steel	---	1
12	C - Sunk Screw & Nuts	Carbon Steel	---	2 Each
13	Locking Washer	Spring Steel	---	2
14	Boby Lining	EPDM / Nitrile	IS 5192 - 1	1
15	Name Plate	Aluminium	---	1



Sizes / Dimensions

Size (Inches)	Size (mm)	A ±1.5	ØB	C ~	D ~	E ~
1 1/2	40	33	40.6	57	113	260
2	50	43	53	73	125	260
2 1/2	65	46	67.5	80	140	260
3	80	46	81.3	88	145	260
4	100	52	101.5	110	178	260
5	125	56	127.1	122	190	260
6	150	56	151.5	151	204	260

~ ±10

NOTE : Valves are also available with limit switch, Pad lock arrangement and gear arrangement at nominal extra cost.